

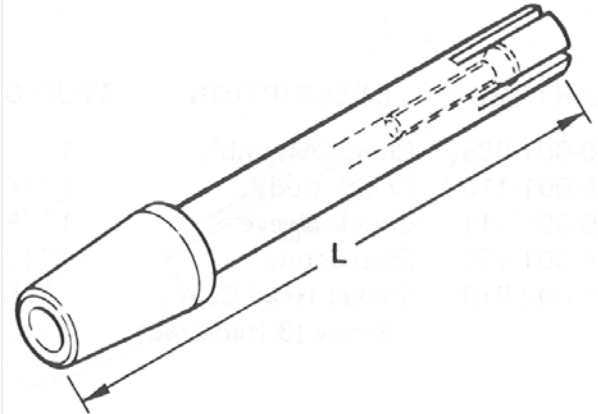
## ACCESSORIES

### Chucks

Nelson long style chucks are typically used when more accessory length is needed. This occurs when short studs are welded through fixtures, templates, or through holes in materials like wood, plastic, or steel. Often, long style studs are used when ferrule tubing holds ferrules, during welding, in place of standard ferrule grips.

#### 3-7/8" Long Style Chucks with Adjustable Depth Stop

| Chuck Description | Stud Diameter               |                       | Chuck Part Number |
|-------------------|-----------------------------|-----------------------|-------------------|
|                   | Imperial Dimension (inches) | Metric Dimension (mm) |                   |
| #8                | 0.164                       | 4.17                  | 500001221         |
| #10               | 0.187                       | 4.76                  | 500001220         |
| 1/4               | 0.250                       | 6.35                  | 500001028         |
| 5/16              | 0.312                       | 7.92                  | 500001029         |
| 3/8               | 0.375                       | 9.53                  | 500001030         |
| 7/16              | 0.437                       | 11.10                 | 500001031         |
| 1/2               | 0.500                       | 12.70                 | 500001032         |



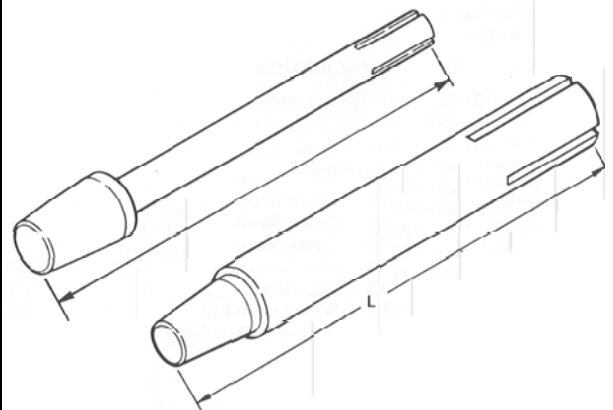
3-7/8" Long Length Straight Style Adjustable Depth Chuck

#### 3-7/8" Long Straight Style Chucks (Fixed chuck depth is 1/2")

| Chuck Description | Stud Diameter               |                       | Chuck Part Number |
|-------------------|-----------------------------|-----------------------|-------------------|
|                   | Imperial Dimension (inches) | Metric Dimension (mm) |                   |
| #8                | 0.164                       | 4.17                  | 500001021         |
| #10               | 0.187                       | 4.76                  | 500001022         |

#### 4-3/4" Long Straight Style Chucks (Fixed chuck depth is 1/2")

| Chuck Description | Stud Diameter               |                       | Chuck Part Number |
|-------------------|-----------------------------|-----------------------|-------------------|
|                   | Imperial Dimension (inches) | Metric Dimension (mm) |                   |
| 1/4               | 0.250                       | 6.35                  | 500001041         |
| 5/16              | 0.312                       | 7.92                  | 500001042         |
| 3/8               | 0.375                       | 9.53                  | 500001043         |
| 7/16              | 0.437                       | 11.10                 | 500001044         |
| 1/2               | 0.500                       | 12.70                 | 500001045         |
| 5/8               | 0.625                       | 15.87                 | 500001046         |
| 3/4               | 0.750                       | 19.05                 | 500001047         |
| 7/8               | 0.875                       | 22.23                 | 500001048         |



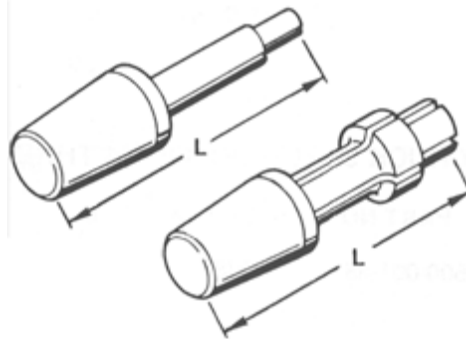
4-3/4" Long Length Fixed Chuck Depth (1/2") Chucks

## ACCESSORIES

### Chucks

*Male Style 2-1/2" Long Chucks for Welding Internally Tapped Studs*

| Chuck   | Length of Extension | Chuck     |
|---------|---------------------|-----------|
| #10-24  | 0.218               | 500003003 |
| #10-24  | 0.375               | 500003004 |
| #10-32  | 0.375               | 500003005 |
| 1/4-20  | 0.375               | 500003008 |
| 5/16-18 | 0.375               | 500003010 |
| 3/8-16  | 0.375               | 500003014 |
| 7/16-14 | 0.218               | 500003016 |
| 1/2-13  | 0.500               | 500003017 |
| 5/8-11  | 0.625               | 500003018 |
| 3/4-10  | 0.625               | 500003019 |



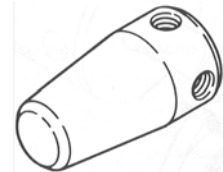
Male Style Chucks

*Male Style Chucks for Welding Studs with Unthreaded Holes*

| Chuck | Length of Extension | Chuck     |
|-------|---------------------|-----------|
| 3/16  | 3/16                | 500003007 |
| 3/16  | 7/32                | 500003042 |
| 3/16  | 3/8                 | 500003006 |
| 1/4   | 7/32                | 500003012 |
| 1/4   | 1/4                 | 500003009 |
| 1/4   | 5/16                | 500003053 |
| 3/8   | 3/8                 | 500003058 |

*Chuck Adapter for Male Style Chucks*  
#2 Morse Taper with Internal Hole and Set Screws

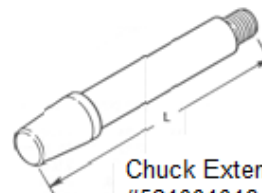
| Chuck Description  | Chuck Part Number |
|--------------------|-------------------|
| 1/4" diameter hole | 521001014         |
| 3/8" diameter hole | 521001023         |



Adapter for Male Style Chucks  
#521001014 and #521001023

*Male Style Chucks for Use with Chuck Adapters*

| Chuck Description | Length of Extension | Chuck     | Adapter Part Number |
|-------------------|---------------------|-----------|---------------------|
| 0.080             | 0.066               | 500003001 | 521001014           |
| 0.140             | 1/8                 | 500001002 | 521001030           |
| 1/8               | 1/4                 | 500003028 | 521001023           |
| 3/16              | 3/8                 | 500003021 | 521001023           |
| 1/4               | No Shoulder         | 500003045 | 521001014           |



Chuck Extension  
#521001016



Chuck Extension  
#521001004

*Chuck Extensions—Add 1/2" to Length of Chuck Assembly*  
1/2-20 External and Internal Thread with Lock Nut

| Chuck Description (Overall Length) | Length of Threads | Chuck Part Number |
|------------------------------------|-------------------|-------------------|
| 3/4 hex x<br>(2 x Overall Length)  | 0.750             | 521001005         |

*Chuck Extensions*  
#2 Morse Taper and External Thread

| Chuck Description (Thread Size, Overall Length) | Length of Threads | Chuck Part Number |
|---|-------------------|-------------------|
| 3/8-24 x 3.750                                  | 0.375             | 521001016         |
| 1/2-20 x 1.500                                  | 0.750             | 521001004         |

## ACCESSORIES

### Chucks

#### Rectangular Chucks Morse Taper Mounting

| Chuck        | Chuck     |
|--------------|-----------|
| 1/8 x 3/8    | 500005003 |
| 1/8 x 5/8    | 500005014 |
| 1/8 x 3/4    | 500005021 |
| 1/8 x 7/8    | 500005005 |
| 1/8 x 1      | 500005006 |
| 1/8 x 1-1/2  | 500005059 |
| 3/16 x 3/4   | 500005007 |
| 3/16 x 7/8   | 500005008 |
| 3/16 x 1     | 500005009 |
| 3/16 x 1-1/4 | 500005011 |
| 1/4 x 1/2    | 500005092 |
| 1/4 x 3/4    | 500005010 |
| 1/4 x 1      | 500005012 |
| 1/4 x 1-1/4  | 500005019 |
| 3/8 x 1      | 500005101 |

#### Internal Morse Taper Adapter with Internal Threads

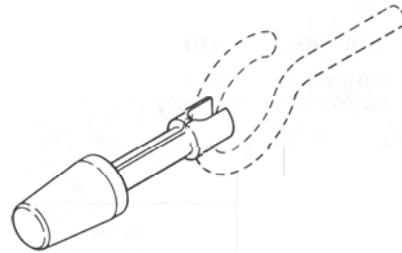
| Thread | Length | Part      |
|--------|--------|-----------|
| 1/2-20 | 1-7/8  | 751004029 |

#### Square Chucks 1/2-20 Internal Thread Mounting

| Chuck Description | Chuck Part Number |
|-------------------|-------------------|
| 3/4               | 500007035         |
| 7/8               | 500007037         |
| 1-1/8             | 500007039         |

#### 90° Bent Style Stud Chucks 1/2-20 Internal Thread Mounting

| Chuck | Chuck                  |
|-------|------------------------|
| 1/8   | 500008001 or 500008002 |
| 3/16  | 500008004              |
| 1/4   | 500008005              |
| 5/16  | 500008006              |
| 3/8   | 500008007              |
| 7/16  | 500008009              |
| 1/2   | 500008010              |
| 9/16  | 500008011              |
| 5/8   | 500008012              |
| 3/4   | 500008013              |
| 7/8   | 500008014              |

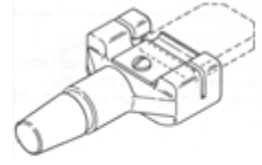


#### Eyebolt Style Chucks Morse Taper Mounting

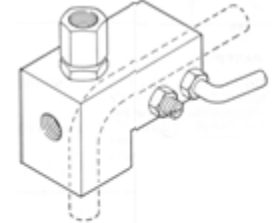
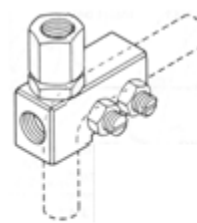
| Chuck Description | Chuck Part Number |
|-------------------|-------------------|
| 3/16              | 500011002         |
| 1/4               | 500011003         |
| 5/16              | 500011004         |
| 3/8               | 500011005         |
| 7/16              | 500011006         |
| 1/2               | 500011007         |



500-005-0033 INSERT 1/8 x 5/8"  
Rectangular 1/8 x 5/8"  
Chuck with Insert



Rectangular Spring  
Chuck with Morse Taper  
Mounting



90° Bent Style Chucks with 1/2-20 Internal  
Thread Mounting  
Left: Chuck for studs 1/8 through 7/16"

#### 45° Bent Style Stud Chucks Morse Taper Mounting

| Chuck | Chuck     |
|-------|-----------|
| 3/8   | 500010002 |
| 1/2   | 500010008 |
| 5/8   | 500010010 |
| 3/4   | 500010016 |
| 7/8   | 500010037 |

Nelson Side Gripping chucks have two ball detents and a screw lever to grip the studs. Chuck adapter offset, #500014088, and other parts are needed to mount these chucks on the stud welding gun.

#### Side Gripping Chuck Assemblies

| Assembly Description | Chuck Assembly Number |
|----------------------|-----------------------|
| 1/4                  | 500014103             |
| 3/8                  | 500014102             |
| 1/2                  | 500014095             |
| 5/8                  | 500014096             |
| 3/4                  | 500014097             |
| 7/8                  | 500014101             |